

ATLANTIC point aviation



Aircraft Sales • Acquisitions • Financing • Consulting



2009 CHALLENGER 605

577 Hours Total time / 297 Cycles.

Enrolled on MSP & CAMP.

*Exterior pictures are for demonstration only.
Actual exterior may be different than the one shown herein.*

Ph: (305) 921-9183 • Fax: (954) 239-1308 • www.atlanticpointaviation.com • Email: sales@atlanticpointaviation.com

ASKING PRICE: MAKE OFFER

**For more information, please contact
us at Atlantic Point Aviation, Corp.**

©Copyright - Atlantic Point Aviation Corp. • 2012 - All Rights Reserved

Specifications are subject to verification upon inspection. Aircraft subject to prior sale or withdrawal from the market.

To view our complete inventory please visit our website.



Aircraft Sales • Acquisitions • Financing • Consulting

2009 CHALLENGER 605



Specifications are subject to verification upon inspection. Aircraft subject to prior sale or withdrawal from the market. To view our complete inventory please visit our website. ©Copyright - Atlantic Point Aviation Corp. • 2012 - All Rights Reserved

Ph: (305) 921-9183 • Fax: (954) 239-1308 • www.atlanticpointaviation.com • Email: sales@atlanticpointaviation.com



Aircraft Sales • Acquisitions • Financing • Consulting

2009 CHALLENGER 605

577 Hours Total time / 297 Cycles. Enrolled on MSP & CAMP.

AVIONICS

- 3D Map and Long Range Cruise
- 3rd Inertial Reference System
- Steep Approach Capability
- 2nd radio Altimeter
- Runway Awareness & Advisory System
- Lightning Detection System (LDS)
- Datalink with Iridium Interface
- Directional TCAS Antenna
- Cockpit Touch-Screen Monitor Manuals
- Enhanced Maps on MFD

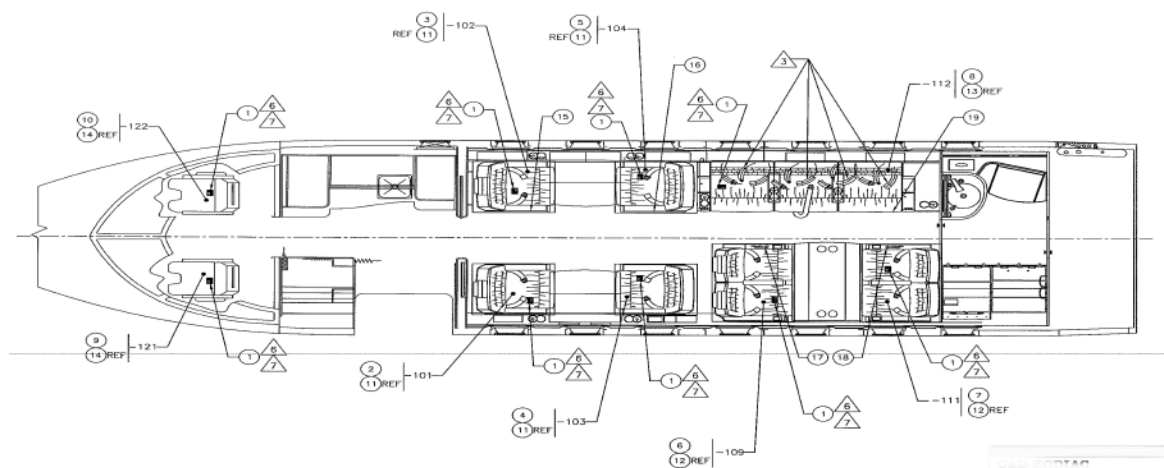
EQUIPMENT

- Day/Night Maps with Time Zones for Airshow
- Espresso Maker
- Microwave Oven
- Pull-Out Work Surface, Galley Fwd Tower
- Pull-Out Work Surface, Galley Aft Tower
- 2nd Refuel/Defuel Panel
- Avionics Bay Light
- 2nd APU Hour Meter
- Tronair Axle Jack & Storage Box
- Main Wheel Storage
- Defibrillator
- Foreign Certification

INTERIOR

- Cockpit Writing Tables
- Entry Light On/Off Switch
- Wardrobe Storage Drawer
- Track and Swivel Jumpseat
- Auxiliary Heater (Galley Area)
- China- Pattern C
- Crystal- Pattern C
- Flatware- Pattern A
- Crystal Showcase
- 21 Inch Monitors (set)
- Additional Magazine Rack
- Magazine Pouch, Single Seat Only

- Cockpit Outlet LHS, 115V
- Cockpit Outlet RHS, 115V
- Cabin Outlet 115 Outlet @RH1
- Cabin Outlet 115 Outlet @RH2
- Cabin Outlet 115V Outlet @LH4
- Cabin Jack VGA Port @LH1
- Cabin Jack -Auxiliary Audio Port @LH2
- Full Berthing Divan, Right Side
- Four Place Divan, Right Side
- Flip Down Hang-up Bar, Baggage Fwd left hand side
- Flip Down Hang-up Bar Baggage Aft left hand side
- Additional Baggage Shelf



Specifications are subject to verification upon inspection. Aircraft subject to prior sale or withdrawal from the market. To view our complete inventory please visit our website. ©Copyright - Atlantic Point Aviation Corp. • 2012 - All Rights Reserved

Ph: (305) 921-9183 • Fax: (954) 239-1308 • www.atlanticpointaviation.com • Email: sales@atlanticpointaviation.com